

OROS 750


HIGH NATURAL
MINERAL CONTENT


NON-POROUS
STAIN RESISTANT


RESISTANT TO HIGH
TEMPERATURES


SCRATCH AND
IMPACT RESISTANT


HYGIENIC
EASY TO CLEAN

ARQSTONE SINK



ARQSTONE **WHITE**



ARQSTONE **BLACK**

Arqstone — engineered stone — strong, durable, natural

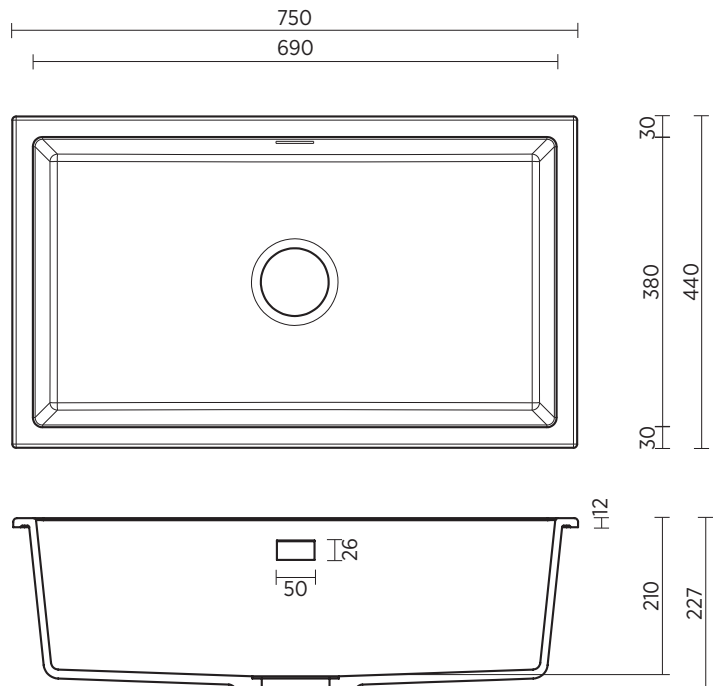
Arqstone sinks, made in Europe from natural quartz, are extremely tough and resistant to high temperatures, scratching and stains. The high density stone surface is easy to clean and the smooth finish ensures a high level of hygiene.

- Square lines, smooth finish, made from pure natural quartz aggregate
- Suits undermount or abovemount installation
- Exceptionally strong and durable
- Deep, large capacity bowl, easy to clean corners, 10mm radii
- Stainless steel basket waste

Order codes	WHITE	BLACK
Oros 750	191035	191037

Product details

SUMMARY	Single bowl with integrated overflow
COLOURS	Available in Arqstone white and black
OVERFLOW	Integrated overflow
WASTE	90 mm stainless steel basket waste
BOWL SIZE	690 x 380 mm, 210 mm deep, rim 30 mm



Find out more
about Seima
Arqstone



Stone sinks - Dimensions are subject to normal manufacturing variations of ±3mm.  Sink has integrated overflow

SEIMA

bathroom | kitchen | laundry

seima.com.au

Please note

- All measurements are in millimetres.
- Always use the actual product to verify cutout.
- Use silicone sealant. DO NOT USE EPOXY TYPE ADHESIVES.
- Specifications may vary without notice as part of our continuous improvement practices.

oros-750-ds | v 2.0