

Arko 027

Collection: Elevate

Former name: Nimos 027



White
Gloss



White Silk
Matte



Black Silk
Matte



Above counter basin, round Slimline Series

The refined characteristics of the Slimline basins will bring a sense of purity and natural elegance to any bathroom.

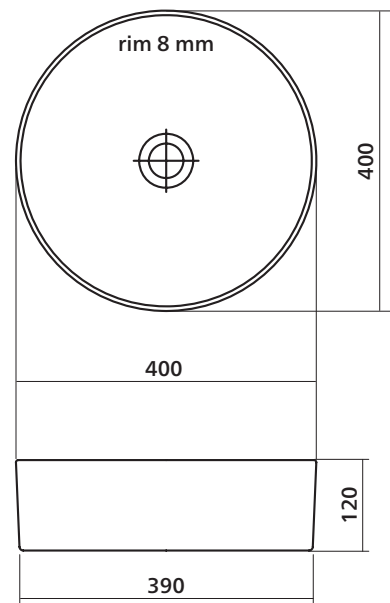
The superfine rim and slender, precise lines of the Slimline Series of basins are made possible through the superior properties of Superclay, an exceptionally durable ceramic that has a 20% higher tensile strength than normal ceramic.


Order codes

191461	Arko 027, White Gloss, with Nanoglaze	Old code: SBC-027
192022	Arko 027, White Silk Matte	
191462	Arko 027, Black Silk Matte	Old code: SBC-027K

Product details

TAPHOLE	No taphole.
WASTE	Suits standard 32 mm non-overflow waste (not supplied).
OVERFLOW	No overflow.
MATERIAL	Vitreous china.
FIXING	Always use the actual basin to verify cutout. Use silicone sealant. Do not use epoxy type adhesives.



 Nanoglaze surface – ultra-smooth, anti-bacterial, easy to clean.
Gloss white basin only.

SEIMA

kitchen + laundry + bathroom ware

seima.com.au

Please note

- All measurements are in millimetres.
- Dimensions are nominal and subject to normal ceramic manufacturing variations of ± 5 mm.
- Wastes, taps and bottle traps shown in images are not included unless specified.
- Fixing: Use silicone sealant. Do not use epoxy type adhesives.
- Always use the actual basin to verify cutout.
- Specifications may vary without notice as part of our continuous improvement practices.
- Clean with a damp cloth. Do not use abrasive cleaners, liquids or pastes.